

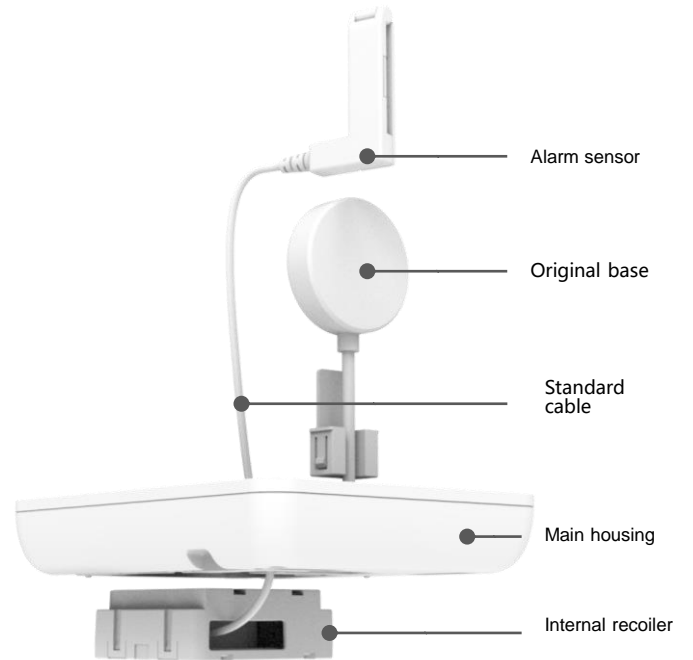
## Structure function

### 1 Installation way with desktop

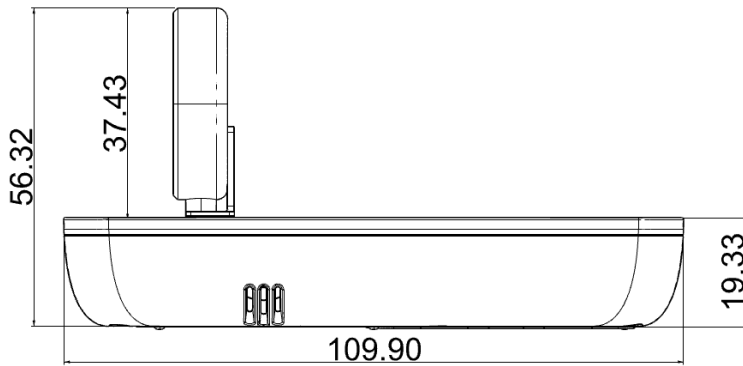


using 3M adhesive

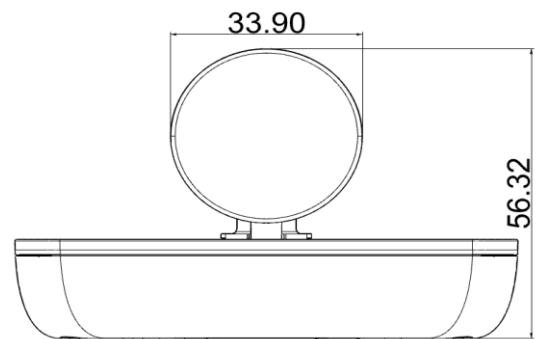
### 2 Components



## Product dimension



Left view



Front view