

Structure function

1 Type of alarm security cable



3 Installation way with desktop

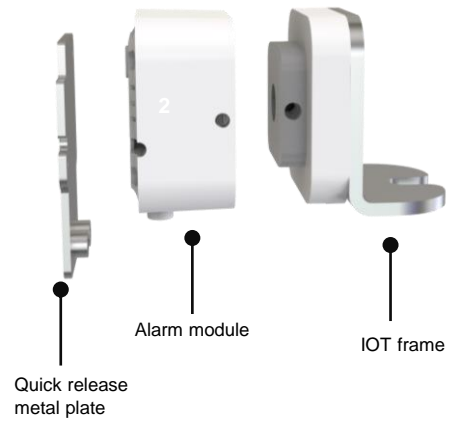


using 3M adhesive

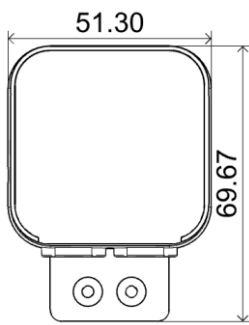


using metal fixing plate

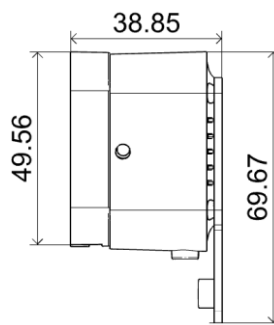
2 Components



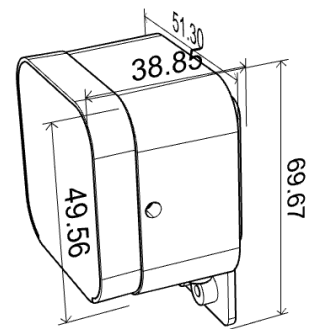
Product dimension



Left view



Back view



Protection sensor