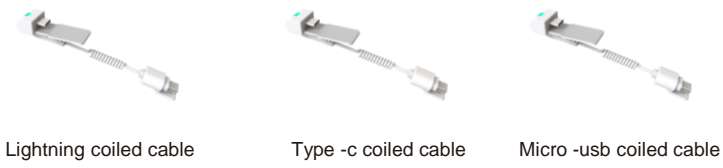


Structure function

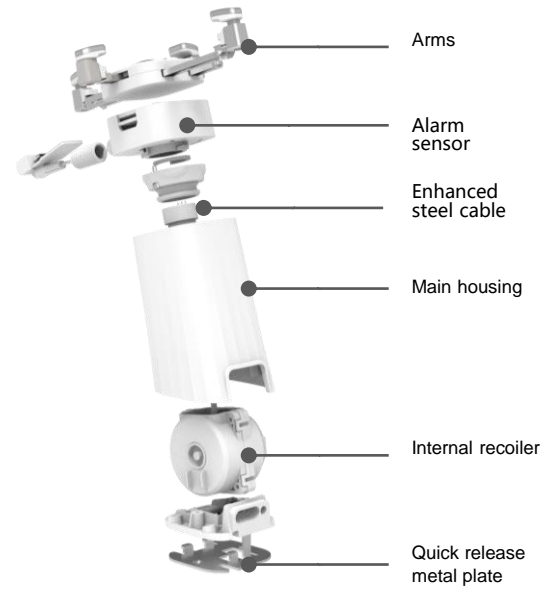
1 Type of charging protection cable



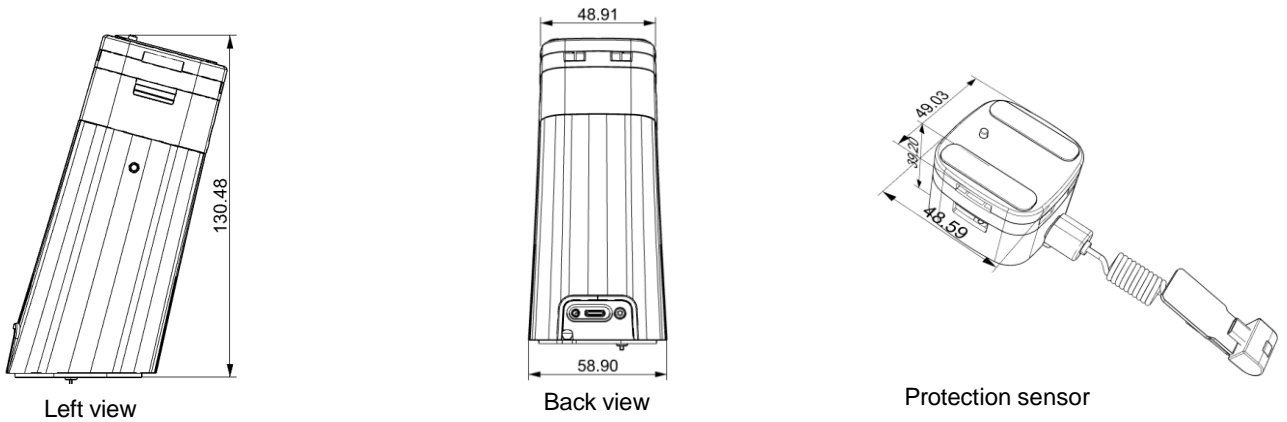
3 Installation way with desktop



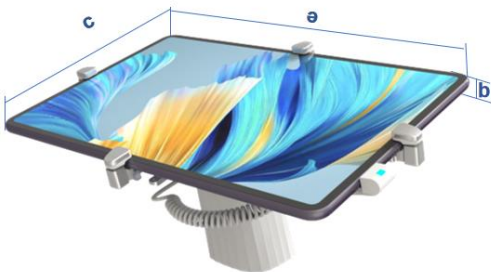
2 Components



Product dimension



Clamp protection range



The width and thickness range of clamp protection

Unit(mm)	Code	Width a	Thickness b	
Two-way protection Range	DE30MA-1	57≤a≤90	6≤b≤11	
	DE30MA-2	140≤a≤245	6≤b≤11	
Four-way protection Range	Code	Width a	Length c	Thickness b
	PJ040	57≤a≤90	110≤c≤190	6≤b≤11
	PJ041	110≤a≤190	140≤c≤245	6≤b≤11